

# DESCRIPTION OF SPARE PARTS KIT



## EL 1015-K EN

### Translation of original instructions

This description of the spare parts kit does **not** replace the mounting and operating instructions for the strainer. Observe the safety instructions as well as the warning and caution notes specified in the mounting and operating instructions.

### Identification

The spare parts kit contains original spare parts for the SAMSON Type 2 N and Type 2 NI Strainers.

The parts are specified in detail at the end of this document.

### General information on use

- The spare parts included in the spare parts kit are not cleaned before delivery.
- Service work must only be performed by personnel appropriately qualified to carry out such work.
- Only perform the service work as described in the Mounting and Operating Instructions EB 1015. The product warranty becomes void if service work not described in these instructions is performed without prior agreement by SAMSON's After-sales Service.
- Only use original spare parts supplied by SAMSON, which comply with the original specifications.

The following documents are required for servicing the strainer:



**Mounting and Operating Instructions EB 1015 for the strainer:**

▶ <https://www.samsongroup.com/document/e10150en.pdf>



**Spare Parts List EL 1015 for the strainer:**

▶ <https://www.samsongroup.com/document/s10150s1.pdf>

## Contents of the spare part kit

Refer to Fig. 2 for spare parts:

- Filter \* Item 1
- Seal \* Item 6

Others:

- Pair of nylon gloves with nitrile micro-foam coating (PPE category II)
- Self-stick note pad
- Pen

### **⚠ WARNING**

#### ***Risk of personal injury due to residual process medium in the strainer.***

*The supplied gloves meet PPE category II requirements. They protect against mechanical hazards (e.g. cuts, crushing, severe abrasion). They are not designed to protect against chemicals, heat or extreme cold.*

**→** *Do not use the supplied gloves if hazards posed by residual medium in the strainer cannot be ruled out. In this case, use other gloves (not included in the scope of delivery) which provide appropriate protection.*

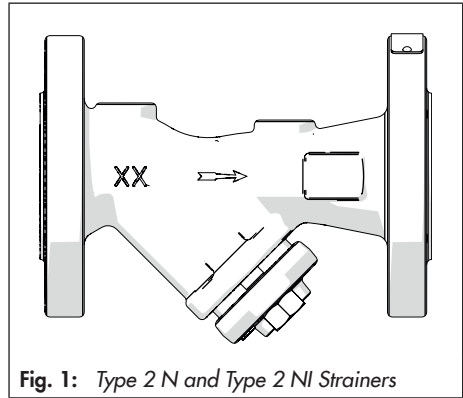
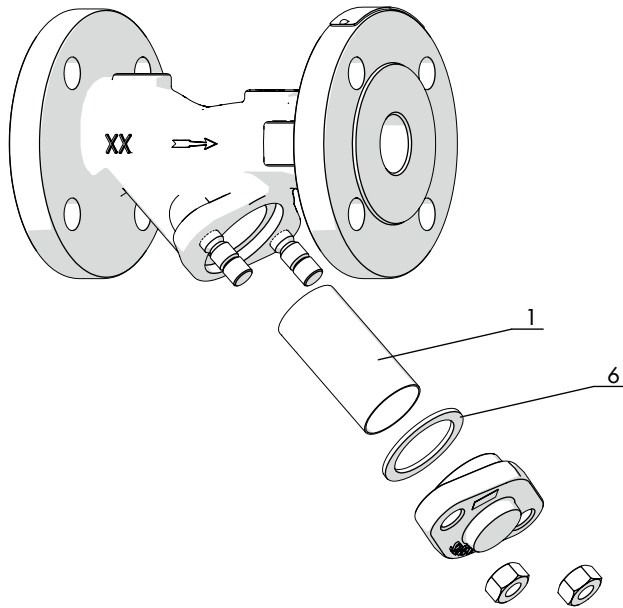


Fig. 1: Type 2 N and Type 2 NI Strainers



**Fig. 2:** Spare parts included in the spare parts kit

**Table 1: Spare parts kits and versions of the Type 2 N and Type 2 NI Strainers**

Material number	Valve size	Body material	Strainer style	Strainer mesh size	Cleaning	Type test	Cleaning connection
K100077682	DN 50	EN-GJL-250	Type 2 N standard strainer insert	Without	No special measures	Without	Without
K100077683	DN 25	EN-GJS-400-18-LT; EN-GJL-250; 1.0619	ESIS Type 2 NI	Without	No special measures	Without	Without
K100077684	DN 50	EN-GJL-250	ESIS Type 2 NI	Without	No special measures	Without	Without
K100077685	DN 15	EN-GJL-250	ESIS Type 2 NI	Without	No special measures	Without	Without
K100077686	DN 40	EN-GJL-250	ESIS Type 2 NI	Without	No special measures	Without	Without
K100077687	DN 65	EN-GJL-250	Type 2 N standard strainer insert	Without	No special measures	Without	Without
K100077688	DN 40	EN-GJL-250	Type 2 N standard strainer insert	Without	No special measures	Without	Without
K100077689	DN 65	EN-GJL-250	ESIS Type 2 NI	Without	No special measures	Without	Without