

## Pneumatically Operated Valve DN 8 - 20 mm (3/8" - 3/4")

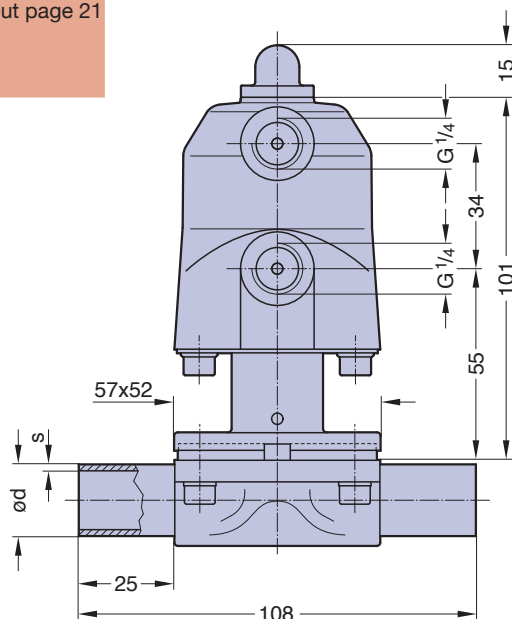


Cf. 1, 2 & 3



Cf. 4 & 5

Butt weld ends  
MA 10  
Fold out page 21



### Features

- Efficient plastic piston actuator with stainless steel distance piece
- Control air connection 90° to flow direction
- Flexible diaphragm suspension
- Encapsulated diaphragm
- Optical indicator
- Compact design, the outside diameter of the actuator is the same size as the bonnet flange
- CDSA sealing concept, see page 32

### Optional

- Available with a wide range of control equipment and accessories see page 132 to 139, also for retrofitting
- Control air connection in flow direction

### Technical Data

- Control function (Cf.): Pneumatically operated  
 Fail safe close (NC): Cf. 1 & 4  
 Fail safe open (NO): Cf. 2 & 5  
 Double acting (DA): Cf. 3  
 At control function NO/DA higher control pressure than required may affect the lifetime of the working diaphragm.
- Direction  
 Control connection:  
 Max. working pressure: At Cf. 1, 2 & 3, 90° to flow direction, standard  
 Unidirectional (delta p = 100%)  
 EPDM diaphragm 8 bar (115 psi)  
 PTFE diaphragm 7 bar (100 psi)

Higher working pressure may be achieved with different actuator. Please consult a SED factory representative for working pressure above the indicated maximum.

- Max. working temperature:  
 Control pressure: 160°C (320°F) dependent on application  
 Cf. 1 4,2 - 7 bar (60 - 100 psi)  
 Diaphragm material: Cf. 2, 3 4 - 5 bar (60 - 72 psi)  
 Valve body material: EPDM or PTFE  
 Forged 1.4435/ 316 L ASME/BPE  
 Investment cast 1.4435/ 316 L
- End connection: Other alloys  
 Butt weld ends see fold out page 21  
 Clamps and flanges see page 22 to 24
- Actuators suitable for: Special ends  
 Two-Way bodies  
 Welded configurations  
 T-bodies  
 Multiport bodies  
 Tank bottom bodies
- Flow rate: Tank bottom bodies  
 Diaphragm size: Kv in m<sup>3</sup>/h (Cv in GPM) see page 9  
 Weight: MA 10  
 ca. 0,8 kg
- Technical data also valid for multiport valve.

DN (mm)	MA	Filling volume (NL)	
		NC	NO/DA
8-20	10	0,027	0,027

Valve type overview see page 26 and 27.  
 Ordering key see page 66 to 68.