

### Type 7123 Movable Base

For Type 7121 Electric Steam Generator

#### Application

The Type 7123 Movable Base is used to support the Type 7121 Electric Steam Generator

The Type 7123 Movable Base is an optional accessory for use with the Type 7121 Electric Steam Generator.

#### Special features

- Plug-and-play solution
- Little installation work required

#### Versions

**Type 7123** · Movable base is used to support the Type 7121 Electric Steam Generator

#### Accessories:

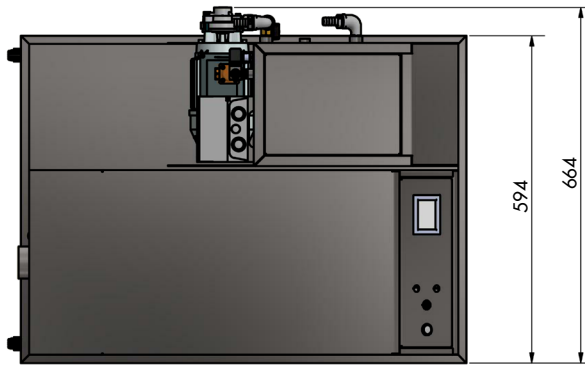
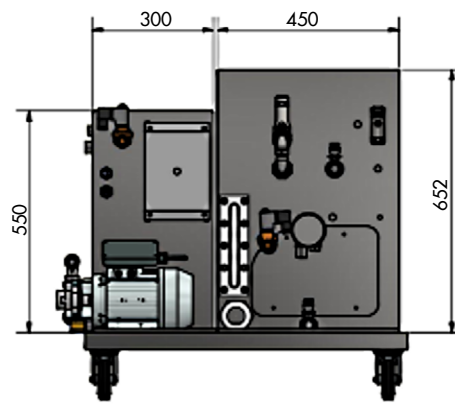
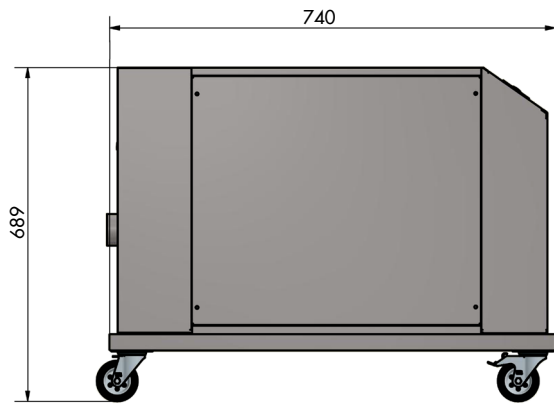
- Type 7125 Blowdown Vessel ▶ T 3979
- Type 7126 Feedwater System ▶ T 3980

#### Fields of application

The optional Type 7123 Movable Base provides maximum flexibility of the steam generators. The Type 7121 Electric Steam Generator as well as the Type 7126 Feedwater System are bolted onto the movable base.



**Fig. 1:** Type 7121 Electric Steam Generator with Type 7126 Feedwater System and Type 7123 Movable Base



**Table 1: Technical data for Type 7123**

Type 7121 Electric Steam Generator and Type 7126 Feedwater System	
<b>Material</b>	Stainless steel
<b>Dead weight</b> Type 7121	15 kg

**Fig. 2:** Dimensions of Type 7123 Movable Base together with Type 7121 Electric Steam Generator and Type 7126 Feedwater System · All dimensions in mm



## RFQ Form for Type 7123 Movable Base

Customer data		
Company		
Address		
Name		
Phone number		
E-mail		
<b>Send your inquiry to your regional SAMSON contact or e-mail it to ► <a href="mailto:systems-de@samsongroup.com">systems-de@samsongroup.com</a>.</b>		
Type		
Base for steam generator ...	Type 7121	
Accessories		
Type 7125 Blowdown Vessel	Yes	No
Type 7126 Feedwater System	Yes	No
Notes		

