



Type 7125 Mobile Blowdown Vessel for Type 7121 Electric Steam Generator

Application

Type 7125 Mobile Blowdown Vessel for the Type 7121 Electric Steam Generator

Function

The **Type 7125** Mobile Blowdown Vessel is an optional accessory for use with the Type 7121 Electric Steam Generator.

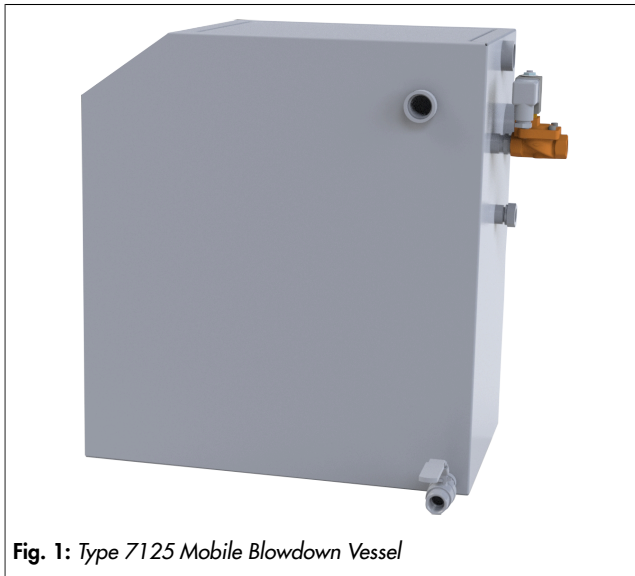


Fig. 1: Type 7125 Mobile Blowdown Vessel

Special features

- Little installation work required
- Turnkey solution
- For mobile use
- Compact design
- Low maintenance
- Rugged

Versions

Type 7125 Mobile Blowdown Vessel for the Type 7121 Electric Steam Generator (► T 3977)

Integrated connections:

- Inlet for blowdown water and outlet for generated steam
- Inlet (cold water)
- Overflow with connection to public drainage system
- Drainage (water)
- Temperature switch

Fields of application

The Type 7125 Blowdown Vessel is used for the blowdown and drainage of the Type 7121 Electric Steam Generator. The water in the blowdown vessel is mixed with cold water to cool it down to below 40 °C before it is discharged into the public drainage system. The condensate can be tested for contamination before it is discharged.

Table 1: Technical data Type 7125

Capacity	Approx. 60 l
Power supply connection	230 VDC/50 Hz
Operating pressure	1 bar(a)
Material	Stainless steel
Weight	Approx. 20 kg

